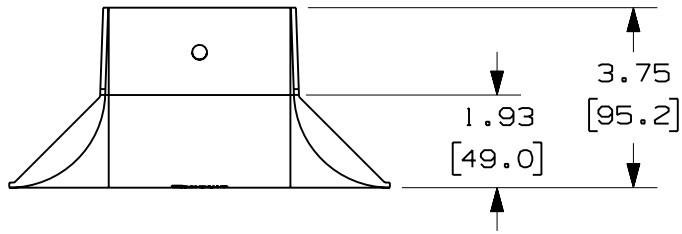


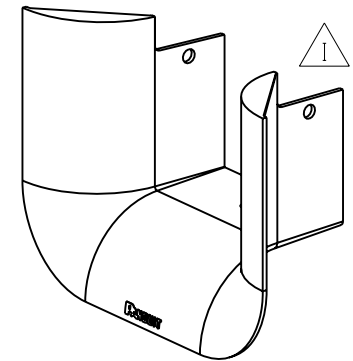
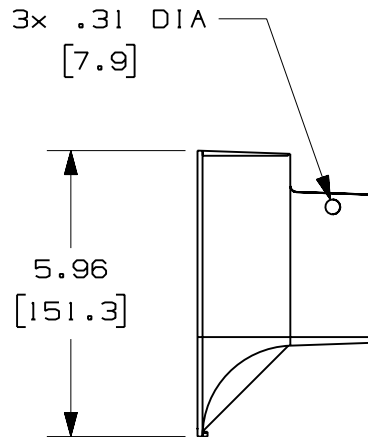
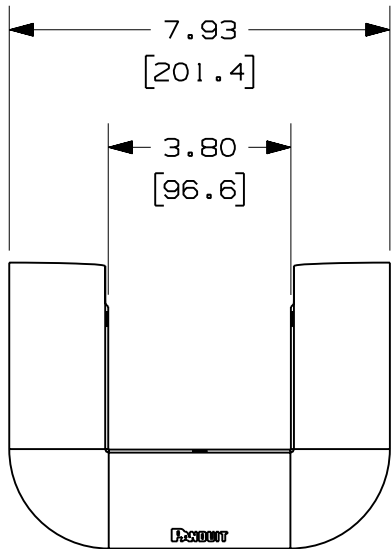


PANDUIT PART NUMBER	WEIGHT
FTR4X4	0.29 LB/EACH (133g/EACH)



NOTES:

1. SEE CURRENT CATALOG FOR ADDITIONAL PART SUFFIXES TO INDICATE COLOR AND/OR PACKAGE QUANTITY.
2. THE FIBER-DUCT 4x4 AND PANDUCT TYPES H AND HS 3-SIDED BEND RADIUS CONTROL TRUMPET IS DESIGNED WITH A MINIMUM 2" (50.8) BEND RADIUS TO PROTECT FIBER OPTIC CABLES.
3. DIMENSIONS IN PARENTHESES ARE IN METRIC.



ENG. REF.: D37185EZ_DC_FTR4X4_01.prt

CAD FILENAME/LAYERS **FTR4X4.pdf**

PANDUIT CORP TINLEY PARK, ILLINOIS
 FIBER-DUCT 4x4 AND PANDUCT TYPES H AND HS
 3-SIDED BEND RADIUS CONTROL TRUMPET (FTR4X4)
 CUSTOMER DRAWING

UNLESS OTHERWISE SPECIFIED,
 DIMENSIONAL TOLERANCES ARE:
 (.X) ± (.XXX) ±
 (.XX) ± .03 (.8) ANGLES ±

UNLESS OTHERWISE SPECIFIED,
 ALL DIMENSIONS ARE GIVEN IN
 INCHES, THIRD ANGLE PROJECTION.

REV	DATE	BY	CHK	DESCRIPTION	ECN	R	CUST	SUP	GMBH
-	-----	---	---	I. REVISED PART GEOMETRY H. REVISED PART WEIGHT	-----	--	--		
-	-----	---	---	G. REVISED GENERAL NOTES F. REVISED CAD FILENAME	-----	--	--		
2	7-21-06	DTP	SMF	E. REVISED DRAWING TITLE D. REVISED AND REDRAWN	37185-72	RN	RN		

DRAWN BY: JHNU
 DATE: 5-5-00
 CHK'D: WAB

MAT'L: ABS

SCALE: NONE
 DRAWING NO.: 37185-72
 DWG SIZE: A